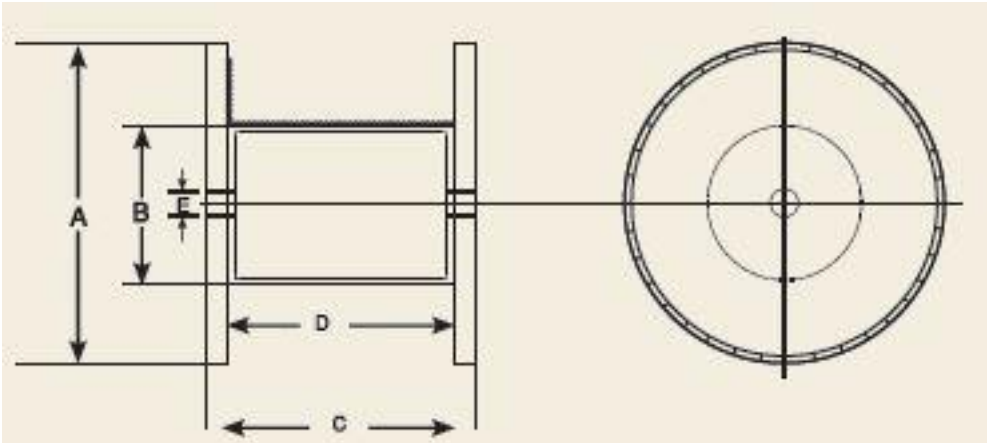




S.M.C

Drum Sizes and Dimensions



Drum Sizes and Dimensions

A- Flange diameter (Excluding lagging), mm

B- Barrel diameter, mm

C- Overall width, mm

D- Traverse width, mm

E- Minimum spindle hole diameter, mm

Drum size D-No	A	B	C	D	E
D-6	600	250	470	400	110
D-7	700	325	570	500	110
D-8	800	375	570	500	110
D-9	900	425	620	550	110
D-10	1000	500	690	600	110
D-11	1100	575	740	650	110
D-12	1200	675	950	850	110
D-14	1400	800	950	850	110
D-16	1600	950	970	850	110
D-18	1800	1100	1220	1100	110
D-19	1900	1100	1230	1100	110
D-20	2000	1300	1235	1100	110
D-21	2100	1150	1290	1100	110
D-22	2200	1400	1390	1250	110
D-23	2340	1200	1795	1625	110
D-24	2400	1200	1795	1625	110
D-25-S	2540	1200	1825	1625	110
D-25	2540	1400	1800	1625	110
D-26	2600	1400	1970	1800	110

Drum dimensions in actual deliveries are subject to change without notice.